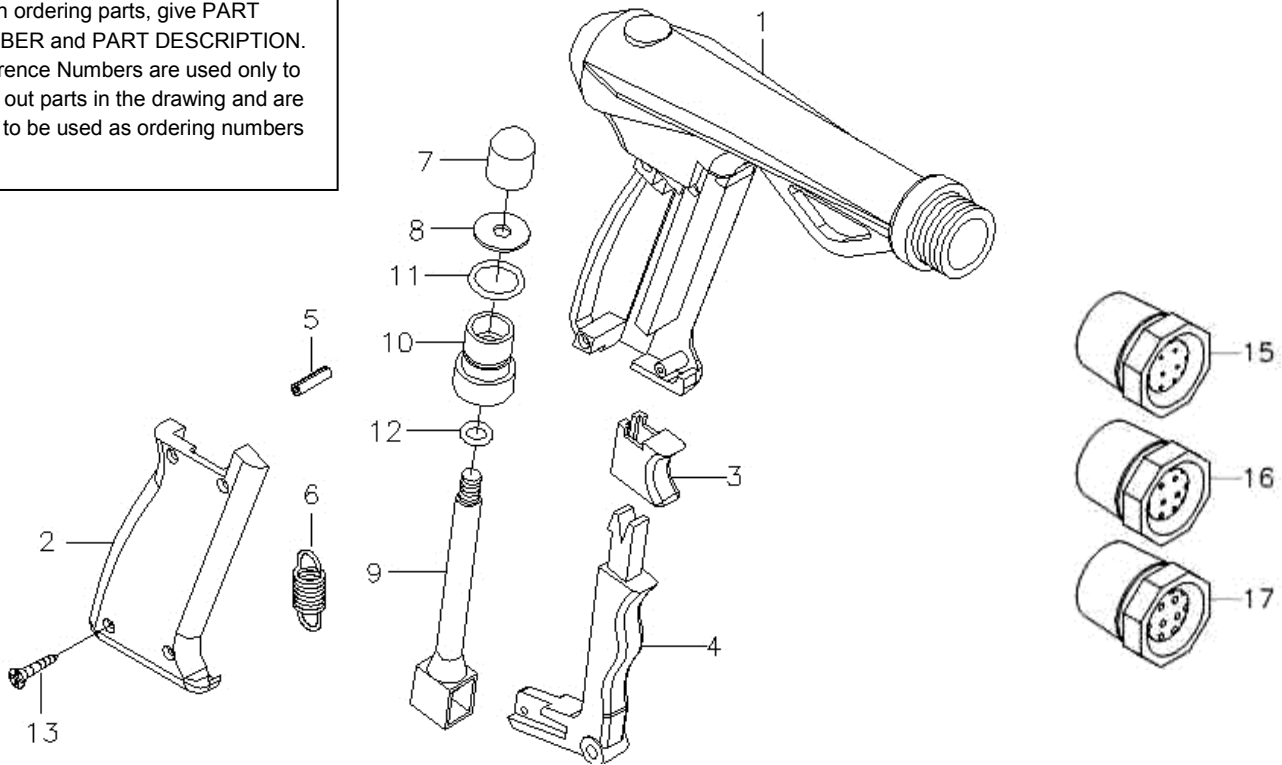


Important:

When ordering parts, give PART NUMBER and PART DESCRIPTION. Reference Numbers are used only to point out parts in the drawing and are NOT to be used as ordering numbers



Ref #	Item ID	Description
3	12-857-03	Mag 2000 Trigger Lock
4	12-857-04	Mag 2000 Trigger
5	12-857-05	Mag 2000 Pin
6	12-857-06	Mag 2000 Trigger Spring
7	12-857-07	Mag 2000 Valve Tip
8	12-857-08	Mag 2000 Washer
9	12-857-09	Mag 2000 Valve Stem
10	12-857-10	Mag 2000 Bushing
11	12-857-11	Mag 2000 O-Ring
12	12-857-12	Mag 2000 O-Ring
13	12-857-13	Mag 2000 Screw
15	12-857-15	Mag 2000 Nozzle, Blue (1-3 GPM)
16	12-857-16	Mag 2000 Nozzle, Yellow (2-4 GPM)
17	12-857-17	Mag 2000 Nozzle, Green (4-7 GPM)

Featured Kits	
13-857-50	GNC MAG 2000 REPAIR KIT Includes: 12-857-07 Valve, 12-857-08 Washer, 13-857-09 Valve Pin, 12-857-10 Nut, 12-857-11 O-Ring and 12-857-12 O-Ring
13-857-75	GNC MAG 2000 REBUILD KIT Includes: 12-857-03 Handle A, 12-857-04 Handle B, 12-857-06 Spring, 12-857-07 Valve, 12-857-09 Valve Pin, 12-857-10 Nut, 12-857-11 O-Ring and 12-857-12 O-Ring