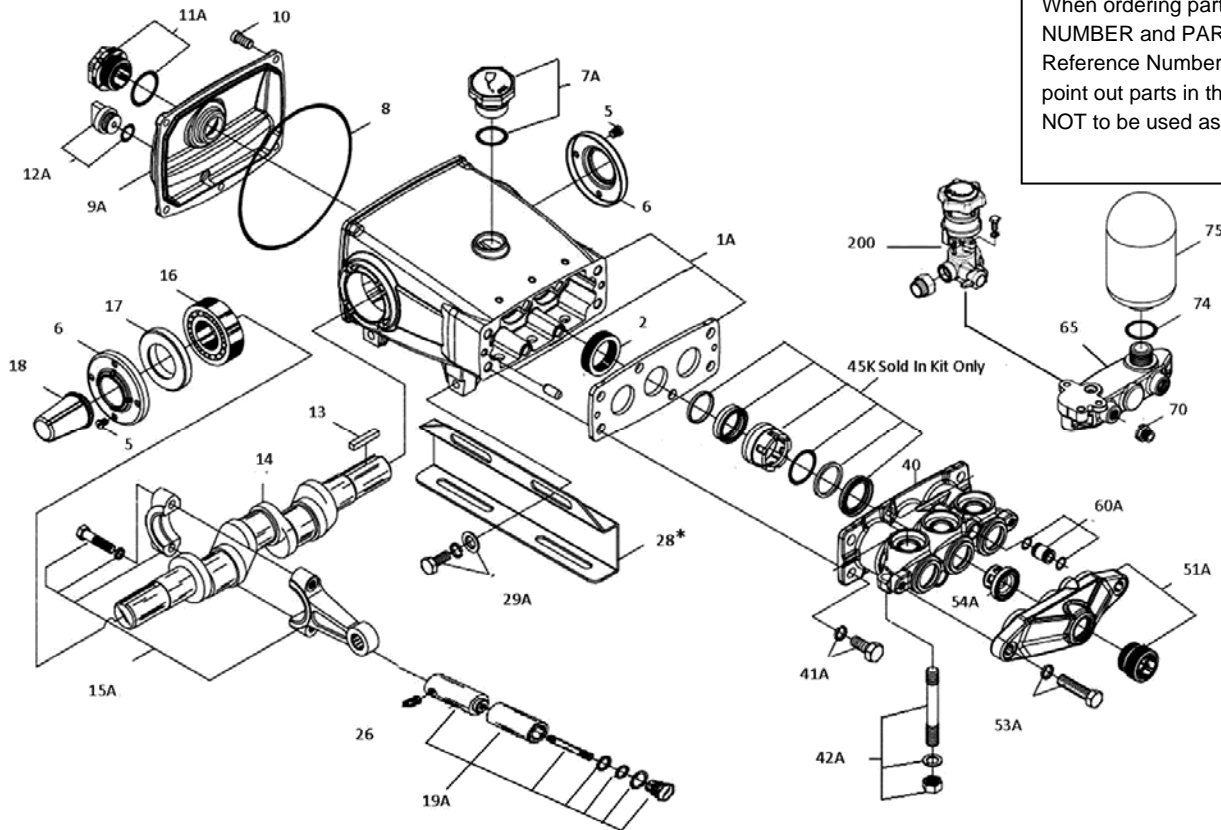


**Important:**  
 When ordering parts, give PART NUMBER and PART DESCRIPTION. Reference Numbers are used only to point out parts in the drawing and are NOT to be used as ordering numbers



Ref #	Item ID	Description
1A	42-550-01	Crankcase
2	42-550-02	Oil Seal for Piston
3	42-550-03	Dust Cover
5	42-530-05	Screw For Crankshaft Oil Seal Cover
6	42-550-06	Cover, Oil Seal
7A	42-550-07	Oil Inlet Cover
8	42-550-08	Gasket for Rear Crankcase Cover
9	42-550-09	Rear Cover
10	42-530-10	Screw for Crankshaft Rear Cover
11A	42-530-11	Oil Window Assembly
12A	42-530-12	Oil Drainage Plug Assembly
13	42-530-13	Crankshaft Key
14	42-550-14	Crankshaft,
15A	42-550-15	Connecting Rod Assembly
16	42-550-16	Crankshaft Bearing
17	42-550-17	Crankshaft Oil Seal,
18	42-530-18	Crankshaft Cover
19	42-550-19	Piston Assembly
26	42-550-26	Piston Pin
28	42-550-28	Pump Stand
29A	42-530-29	Bolt Set with Washer,

Ref #	Item ID	Description
31	42-550-31	Pulley with Bolt Set
40	43-550-335	Cylinder Assembly
41	42-550-41	Cylinder Screw With Washer
42	42-550-42	Double-Ended Screw,
51A	42-550-51	Suction Chamber Assembly
53A	42-550-53	Bolt Set with Washer
54	43-550-550	Valve Assembly, Sold In Kit 43-550-550
60A	42-530-60	Connecting Hose with O-Ring,
65	42-550-65	Outlet Chamber
70	42-550-70	Plug for Outlet Chamber,
74	42-550-74	Air Chamber O-Ring
75	42-550-75	Air Chamber Surge Tank

Feature Kits	
43-530-200	P530/550 Pressure Reg Assy
43-550-525	P550 Packing Repair Kit
43-550-535	P550 Cylinder Assembly
43-550-550	P550 & P15W Valve Repair Kit
43-550-580	P550 Rebuild Kit