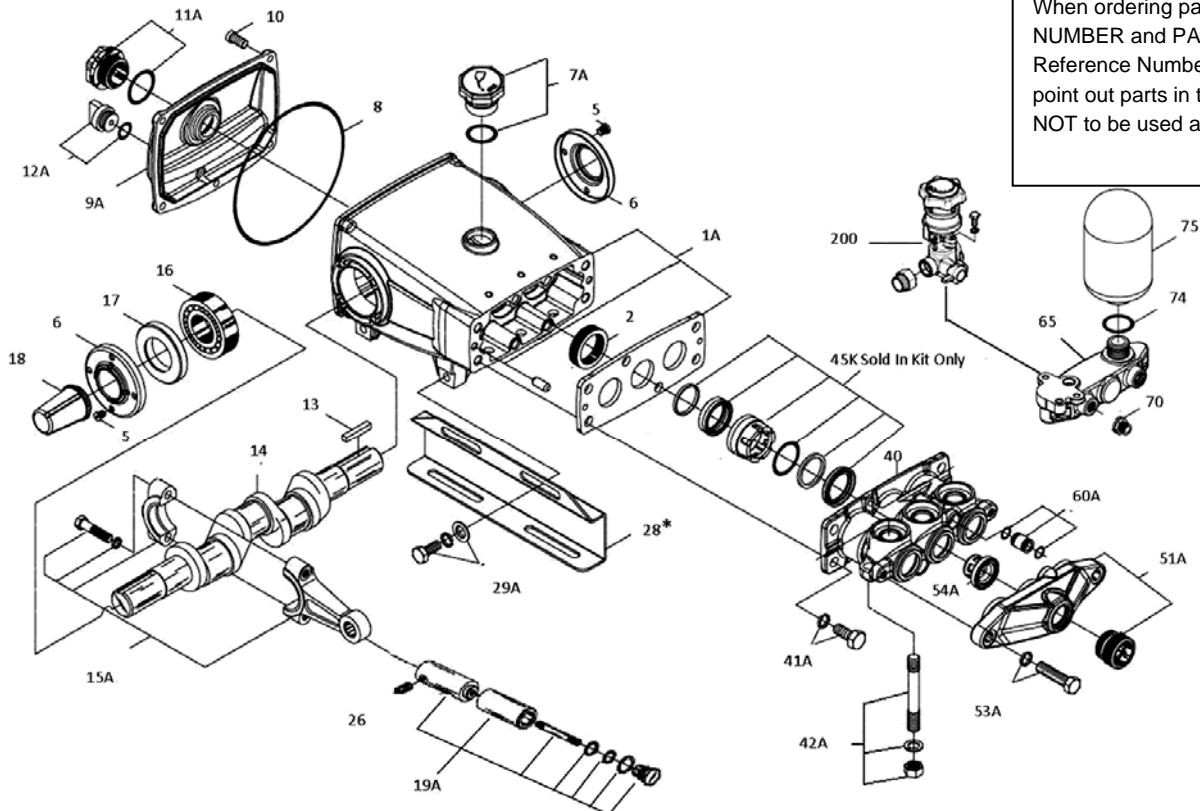


Important:
When ordering parts, give PART NUMBER and PART DESCRIPTION. Reference Numbers are used only to point out parts in the drawing and are NOT to be used as ordering numbers



Ref #	Item ID	Description
1A	42-530-01	Crankcase
2	42-530-02	Oil Seal for Piston
5	42-530-05	Screw For Crankshaft Oil Seal Cover
6	42-530-06	Oil Seal Cover
7A	42-530-07	Oil Inlet Cover
8	42-530-08	Gasket for Rear Crankcase Cover
9	42-530-09	Crankcase Rear Cover
10	42-530-10	Screw for Crankshaft Rear Cover
11A	42-530-11	Oil Window Assembly
12A	42-530-12	Oil Drainage Plug
13	42-530-13	Crankshaft Key
14	42-530-14	Crankshaft
15A	42-530-15	Connecting Rod Assembly
16	42-530-16	Crankshaft Bearing,
17	42-530-17	Crankshaft Oil Seal
18	42-530-18	Crankshaft Cover
19	42-530-19	Piston Assembly
26	42-530-26	Piston Pin
28	42-530-28S	Piston Pump Stand (Short)
28	42-530-28T	Piston Pump Stand (Tall)
29A	42-530-29	Bolt Set with Washer

Ref #	Item ID	Description
31	42-530-31	Pulley with Bolt Set,
40	43-530-335	Cylinder Assembly
41	42-530-41	Bolt Set with Washer
42	42-530-42	Double End Screw W/ Nut Spring
51A	42-530-51	Suction Chamber Assembly
53	42-530-53	Bolt Set with Washer
60	42-530-60	Connecting Hose with O-Ring
65	42-530-65	Outlet Chamber
70	42-530-70	Plug for Outlet Chamber
74	42-530-74	Air Chamber O-Ring
75	42-530-75	Air Chamber Surge Tank

Feature Kits	
43-530-200	P530/550 Pressure Regulator Assembly
43-530-325	P530 Packing Repair Kit
43-530-335	P530 Cylinder Assembly (#40 W/Pkg'ings)
43-530-350	P530 Valve Repair Kit
43-530-380	P530 Rebuild Kit (Pkg & Valve Kit)