



5071.75 Gear Reduction

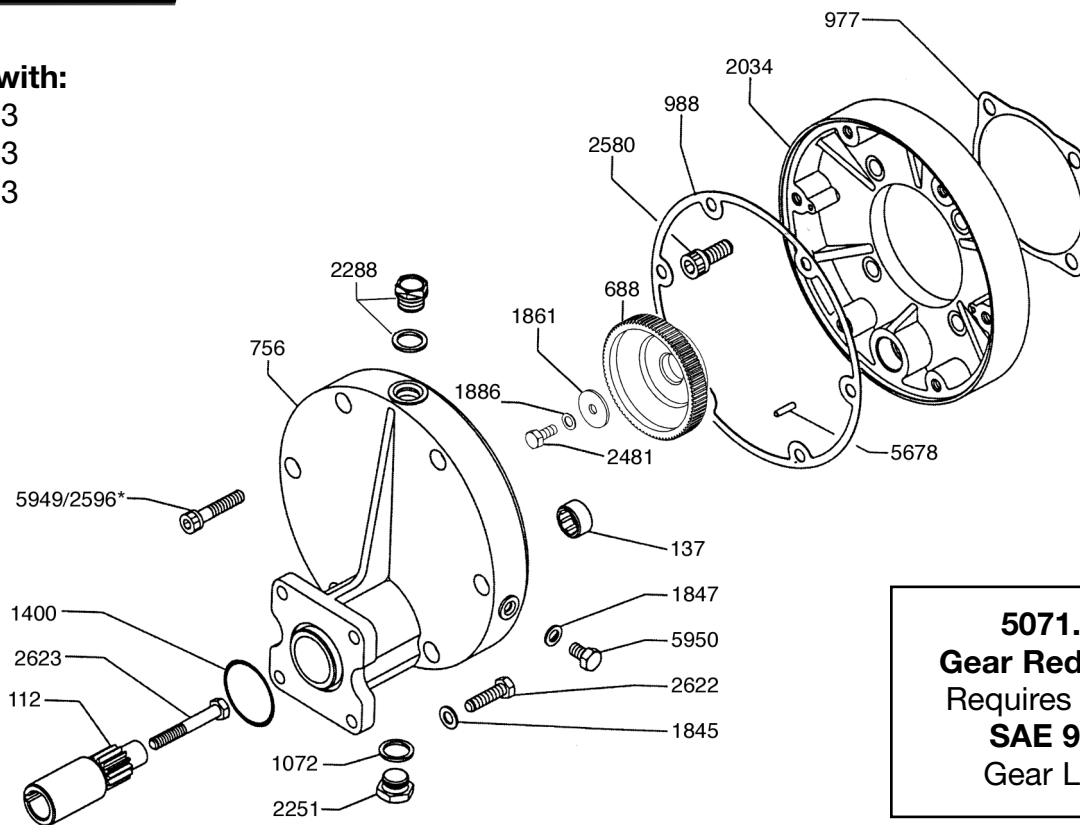
Installation Instructions & Parts List

For use with:

KAPPA-33

KAPPA-43

KAPPA-53



5071.75
Gear Reduction
 Requires **16 oz.**
SAE 90W
 Gear Lube

REF#	PART#	DESCRIPTION	QTY	REF#	PART#	DESCRIPTION	QTY
112	0004.18	Engine Gear	1	2034	1505.29	Gear Case Half	1
137	0006.08	Bearing	1	2251	1603.02	Oil Plug	1
688	0213.41	Pump Gear	1	2288	1603.81	Vent Cap	1
756	0228.23	Gear Case Half	1	2481	1804.07	Bolt	1
977	0602.05	Gasket	1	2580	1805.01	Bolt	4
988	0602.27	Gasket	1	*2596	1805.23	Bolt (old style) Allenhead	6
1072	0605.01	Gasket	1	2622	1807.07	Bolt - 5/16"x1"	4
1400	1101.57	O-Ring	1	2623	1807.08	Bolt - 5/16"x2-1/4"	1
1845	1403.10	Washer	4	5678	1512.08	Guide Pin	1
1847	1403.12	Aluminum Gasket	1	5949	1804.72	Bolt	6
1861	1403.39	Washer	1	5950	1804.77	Side Plug	1
1886	1411.03	Lock Washer	1				

NOTE - USE BLUE THREADLOCKER OR EQUIVALENT ON ALL BOLTS.

1. Apply a light coating of anti-seize compound or grease to engine shaft and install 3/16" key, which is supplied with the engine.
2. Install engine gear (Ref #112) on engine shaft and secure with 5/16" x 2-1/4" bolt (Ref #2623) provided.
3. Install o-ring (Ref #1400) into groove on gear box and mount assembly onto engine. Secure assembly to engine using the (4) 5/16" x 1" bolts (Ref #2622) and (4) washers (Ref #1845) provided.
4. Fill gear box with 16 oz. of 90W gear lube to level plug (Ref #5950).