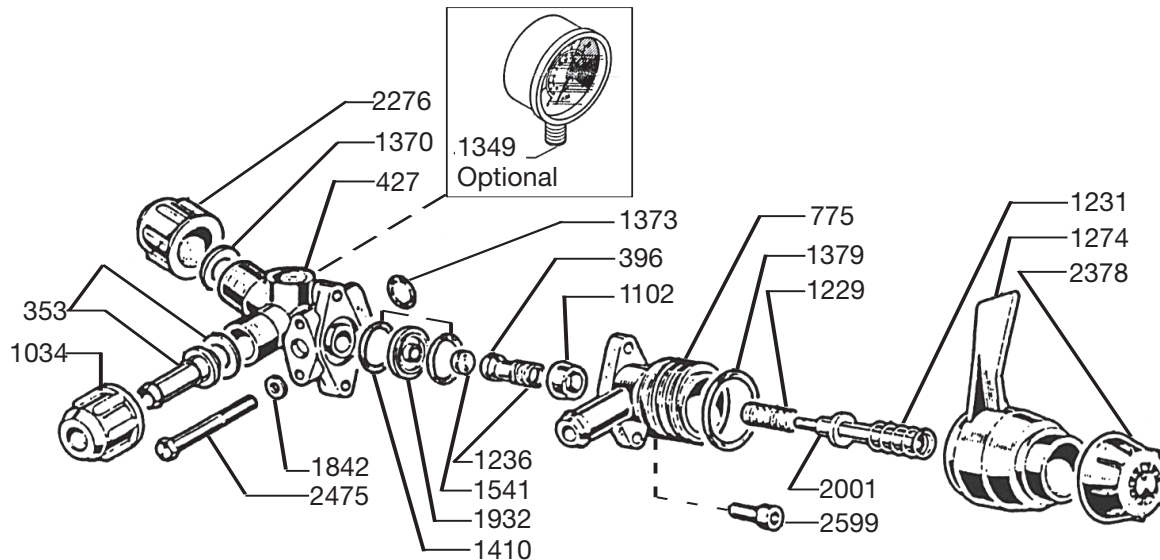




6010.23 Control Unit

Operating Instructions & Parts List



REF#	PART#	DESCRIPTION	QTY	REF#	PART#	DESCRIPTION	QTY
353	0202.09	3/8" Hose Barb	1	*1370	1101.06	O-Ring	1
*396		Valve Collar	1	*1373	1101.11	O-Ring	1
427	0204.41	Valve Body	1	*1379	1101.23	O-Ring	1
775	0252.01	By-pass Body	1	*1410	1101.69	O-Ring	2
1034	0604.09	Discharge Barb Nut	1	*1541		Poppet	1
*1102	0606.01	Seal	1	1842	1403.04	Washer	2
1229	0901.31	Spring	1	*1932		Seat	1
1231	0901.06	Spring	1	*2001		Stem	1
1236	0901.37	Spring	1	2276	1603.42	Cap	1
1274	0902.12	Regulator Handle	1	2378	1801.13	Adjustment Knob	1
1349	GG-350	Gauge (Optional)	1	2475	1804.61	Bolt	2
				2599	1805.37	Bolt	2

* Parts Included in Repair Kit - #8701.01.

OPERATING INSTRUCTIONS

1. Before operating or re-operating the pump, push the manual dump valve lever (Ref. #1274) counter-clockwise to the dump position. FAILURE TO DO SO WILL VOID PUMP WARRANTY.
2. Turn the pressure adjustment knob (Ref. #2378) counter-clockwise to relieve spring tension.
NOTE: Step 2 applies only to initial start-up, and is not necessary in daily operation of pump.
3. Start unit and let run until air is evacuated from system, when only liquid is expelled from the bypass line.
4. Turn dump valve lever clockwise to ON position. Open spray gun or spray boom and turn the pressure adjustment knob clockwise until desired operating pressure is achieved.

PROTECT PUMP FROM FREEZING.

If freezing conditions exist, flush pump with a 50/50 mixture of antifreeze and water.