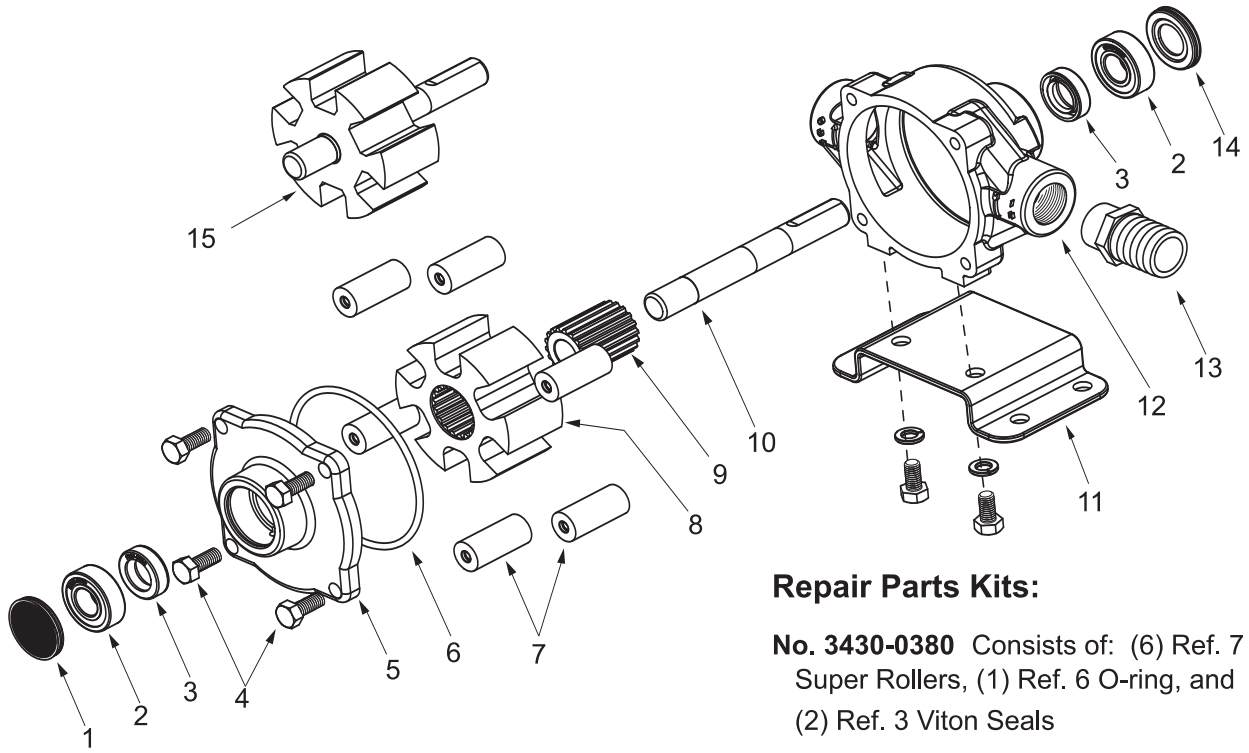


Series 6500



Note: When ordering parts, give quantity, part number, description and complete model number. Reference numbers are used ONLY to identify parts in the drawing and NOT to be used as order numbers.

Repair Parts Kits:

No. 3430-0380 Consists of: (6) Ref. 7 Super Rollers, (1) Ref. 6 O-ring, and (2) Ref. 3 Viton Seals

No. 3430-0175 Consists of: (6) Ref. 7 Polypropylene Rollers, (1) Ref. 6 O-ring, and (2) Ref. 3 Viton Seals

No. 3430-0621 Consists of: (1) Ref. 8 Phenolic Rotor, (1) Ref. 9 Metal Insert, and (1) Ref. 10 Shaft

Ref. No.	Qty. Req'd.	Part No.	Description
1	1	2300-0021	Bearing Cover
2	2	2000-0010	Sealed Ball Bearing
3	2	2102-0001	Buna-N Seal (Optional)
3	2	2102-0001T	Teflon-Coated Buna-N Seal (Optional)
4	4	2210-0004	Bolts
5	1	0200-6600C	Endplate (Cast Iron) with seal
5	1	0200-6600N	Endplate (Ni-Resist) with seal
5	1	0200-6600X	Endplate (SilverCast) with seal
6	1	1720-0008	O-ring Gasket for Endplate
7	6	1005-0004	Super Roller (Standard)
7	6	1002-0004	Polypropylene Roller (Optional)
7	6	1052-0004	Buna-N Roller (Optional)
7	6	1055-0004	Teflon Roller (Optional)

Ref. No.	Qty. Req'd.	Part No.	Description
8	1	0401-6500P	Phenolic Rotor (Standard)
9	1	1201-0018	Metal insert
10	1	0500-6500	Shaft
11	1 kit	3420-0023	Base Kit - Includes: (1) Base, (2) Bolts and (2) Washers
12	1	0100-6600C	Body (Cast Iron) with seal
12	1	0100-6600N	Body (Ni-Resist) with seal
12	1	0100-6600X	Body (SilverCast) with seal
13	1	2404-0052	1" Hose Barb
14	1	2300-0023	Shaft Bearing Cover
15	1	0300-6600C	Rotor Assembly (Cast Iron)
15	1	0300-6600N	Rotor Assembly (Ni-Resist)
15	1	0300-6600X	Rotor Assembly (SilverCast)