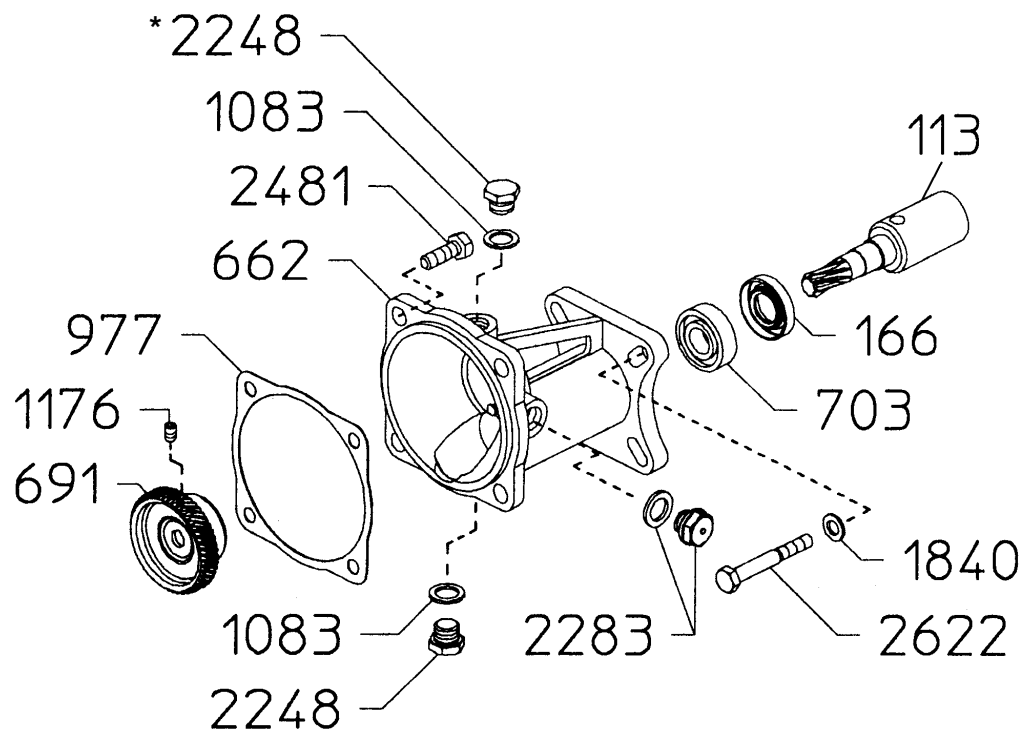




# 5085.F7 Gear Reduction

## Installation Instructions for KAPPA-25/GR



**5085.F7 3/4"**  
**Gear Reduction**  
 Requires **3 oz.**  
**90W** Gear Lube

5085.F7

REF#	PART#	DESCRIPTION	QTY	REF#	PART#	DESCRIPTION	QTY
113	0004.19	Engine Gear, 3/4"	1	1840	1403.10	Washer	4
166	0007.21	Seal	1	2248	1603.67	Plug	2
662	0228.43	Gear Case	1	2283	1603.69	Oil Sight Gauge	1
691	0213.43	Pump Gear	1	2481	1804.07	Bolt	4
703	0214.08	Bearing	1	2622	1807.07	Bolt - 5/16 x 1	4
977	0602.05	Gasket	1				
1083	0605.49	Gasket	2				
1176	0614.11	Set Screw	1				

**NOTE - USE BLUE THREADLOCKER OR EQUIVALENT ON ALL BOLTS.**

- \*1. Before installing assembly onto engine, remove oil level plug (Ref. #2248) and add 3 oz. of 90W gear lube to gear box.
2. Apply a light coating of anti-seize compound or grease to engine shaft and install 3/16" key, which is provided with the engine. Slide assembly over engine shaft and fasten to engine using (4) 5/16" x 1" bolts (Ref. #2622) and (4) washers (Ref #1840) provided.