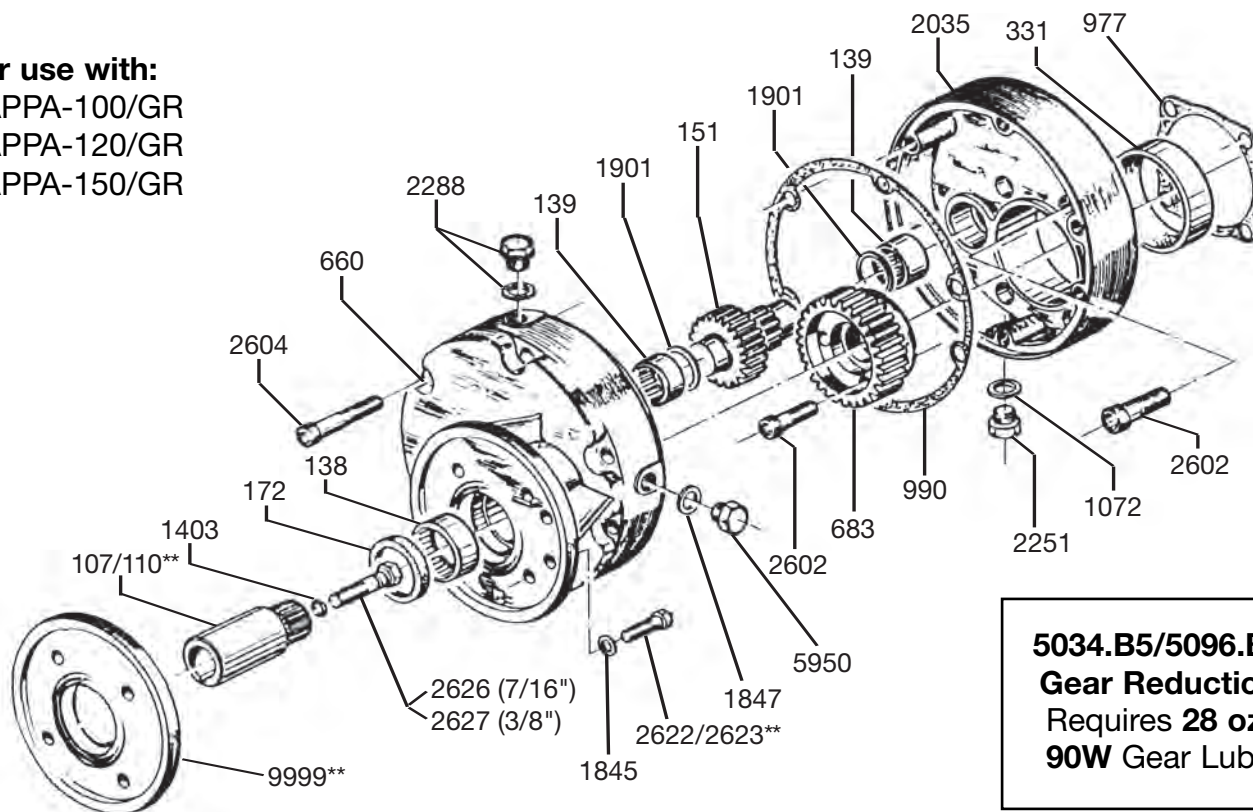




5034.B5/5096.B5 Gear Reduction

Installation Instructions & Parts List

For use with:
 KAPPA-100/GR
 KAPPA-120/GR
 **KAPPA-150/GR



**5034.B5/5096.B5
 Gear Reduction
 Requires 28 oz.
 90W Gear Lube**

REF#	PART#	DESCRIPTION	QTY	REF#	PART#	DESCRIPTION	QTY
107	0004.26	Engine Gear 1"	1	1847	1403.12	Washer	1
**110	0004.43	Engine Gear 1-1/8"	1	1901	1413.02	Thrust Washer	2
138	0006.04	Bearing	1	2035	1505.31	Gear Case Half	1
139	0006.10	Bearing	2	2251	1603.02	Oil Plug	1
151	0019.02	Transmission Gear	1	2288	1603.81	Vent Cap	1
172	0007.34	Seal	1	2602	1805.25	Bolt	7
331	0115.02	Bushing	1	2604	1805.15	Bolt	6
660	0212.11	Gear Case Half	1	2622	1807.07	Bolt - 5/16" x 1"	4
683	0213.24	Pump Gear	1	**2623	1807.08	Bolt - 5/16" x 2-1/4"	4
977	0602.05	Gasket	1	2626	1807.11	Bolt - 7/16" x 2"	1
990	0602.38	Gasket	1	2627	1807.12	Bolt - 3/8" x 2"	1
1072	0605.09	Washer	1	5950	1804.77	Side Plug	1
1403	1101.60	O-Ring	1	**9999	9000.00	Gear Box Spacer	1
1845	1403.10	Washer	4				

NOTE - USE BLUE THREADLOCKER OR EQUIVALENT ON ALL BOLTS.

****PARTS FOR 5096.B5 ONLY ON KAPPA-150/GR.**

1. Apply a light coating of anti-seize compound or grease to engine shaft and install 1/4" key, which is supplied with the engine.
2. Install engine gear (Ref #107 or Ref #110**) on engine shaft and secure with 3/8" bolt (Ref #2627) or 7/16" bolt (Ref #2626) provided. Make sure O-Ring (Ref #1403) is installed on bolt.
3. Install gearbox assembly onto engine, using caution not to damage gearbox seal (Ref #172). Secure assembly to engine using the (4) 5/16 x 1" bolts (Ref #2622) or (4) 5/16" x 2-1/4" bolts (Ref #2623**) and (4) washers (Ref. #1845) provided.
4. Fill gear box with 28 oz. of 90W gear lube to level plug (Ref #5950).