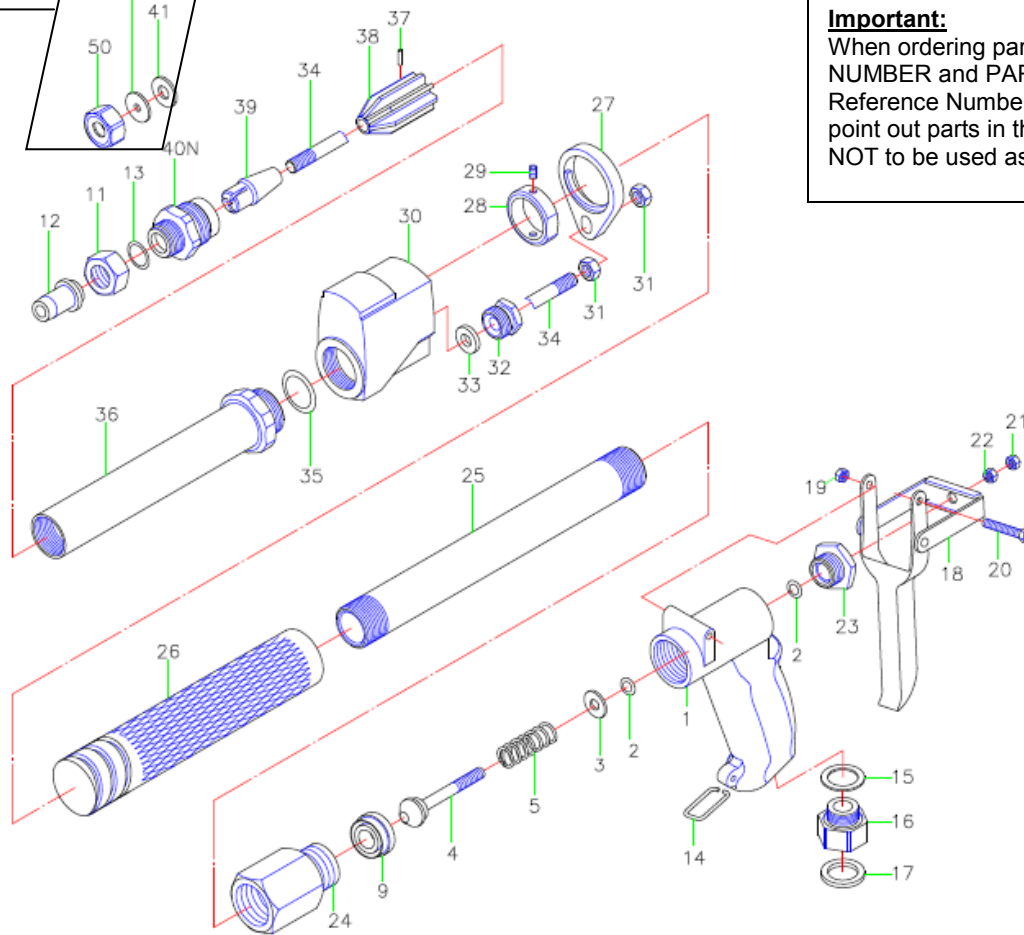
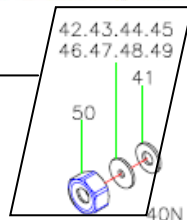


Optional  
Ref # 41-50



**Important:**

When ordering parts, give PART NUMBER and PART DESCRIPTION. Reference Numbers are used only to point out parts in the drawing and are NOT to be used as ordering numbers


Ref. No.	Part No.	Item Description
1	12-850-01	Grip
2	12-850-02	O-Ring
3	12-850-03	Stainless Washer
4	12-850-04	Stainless Steel Valve
5	12-850-05	Valve Spring
9	12-850-09	Valve Seat
11	12-854-11	Nozzle Cap *Standard*
12	12-853-12*	Nozzle - * Specify *
13	12-853-13	Gun Part, O-Ring
14	12-850-14	Gun Part, Trigger Stopper Clip
15	12-850-15	Gun Part, Gasket 25 x 18 x 2.0
16	12-850-16	3/4" Garden Hose Coupler
17	12-850-17	Gun Part, Gasket 27 x 18 x 2.0
18	12-850-18	Gun Part, Stainless Steel Trigger
19	12-850-19N	Lock-Nut (M6 x 1.0)
20	12-850-20	Bolt (M6 x 1.0)
21/22	12-850-19	Gun Part, Nut (M6 x 1.0)
23	12-850-23	Gun Part, Gland
24	12-854-24	Brass Adapter

Ref. No.	Part No.	Item Description
25	12-854-25	Gun Barrel
26	12-854-26	Cam Barrel
27	12-854-27	Cam Nut
28	12-857-28	Collar
29	12-854-29	Set Screw
30	12-854-30	Body
31	12-854-31	Hex Nut
32	12-854-32	Packing Nut
33	12-854-33	Packing
34	12-854-34	Valve Stem
35	12-854-35	O-Ring
36	12-854-36	Outer Tube
37	12-854-37	Roll Pin
38	12-854-38	Stream Straightener
39	12-854-39	Whirler
40N	12-854-40	Valve Body

**Optional \*Not Included**

41	12-854-41	Gasket
42-49	12-854-*	Disc * Specify*
50	12-854-50	Nozzle Cap, Disc

Part #	Description/Hole Diameter	GPM @ 200PSI	GPM @ 300PSI	GPM @ 400PSI	GPM @ 500PSI	GPM @ 600PSI	GPM @ 800PSI
12-854-42	# 5 Disc/ .078"	1.7	2.0	2.4	2.7	2.9	3.4
12-854-43	# 6 Disc/ .093"	2.4	3.0	3.4	3.8	4.2	4.9
12-854-44	# 7 Disc/ .109"	3.3	4.0	4.6	5.0	5.7	6.7
12-854-45	# 8 Disc/ .125"	4.2	5.2	6.0	6.6	7.4	8.5
12-854-46	# 10 Disc/ .156"	6.5	8.1	9.2	10.3	11.4	13.0
12-854-47	# 12 Disc/ .187"	9.8	12.0	13.9	15.5	17.0	19.9
12-854-48	# 14 Disc/ .218"	14.9	18.2	21.1	23.5	25.8	29.6
12-854-49	# 16 Disc/ .250"	18.8	23.0	26.5	29.6	32.5	37.1

	Part No.	Description
	12-853-12S	Nozzle, 0.24- 0.50 GPM
	12-853-12M	Nozzle, 0.50—2.0 GPM
	12-853-12L	Nozzle, 2.0– 5.0 GPM
	12-853-12XL	Nozzle, 3.0—7.0 GPM
	12-853-122XL	Nozzle, 6.0—11.0 GPM
	12-853-123XL	Nozzle, 8.0—13.5 GPM
	12-857-125XL	Nozzle, 9.0—24.0 GPM

Part No.	Description
13-853-50	Repair Kit #1 Includes: 12-850-02 Gasket, 12-853-13 O-Ring, and 12-853-06 Gasket
13-853-60	Repair Kit #2 Includes: 12-850-02 Gasket, 12-853-13 O-Ring, 12-853-06 Gasket, and 12-850-09 Valve Seat
13-853-75	Rebuild Kit Includes: 12-850-02 Gasket, 12-853-13 O-Ring, 12-853-06 Gasket, 12-850-09 Valve Seat, 12-853-07 Whirler, and 12-850-04 Stainless Steel Valve