

75 Gallon UTV

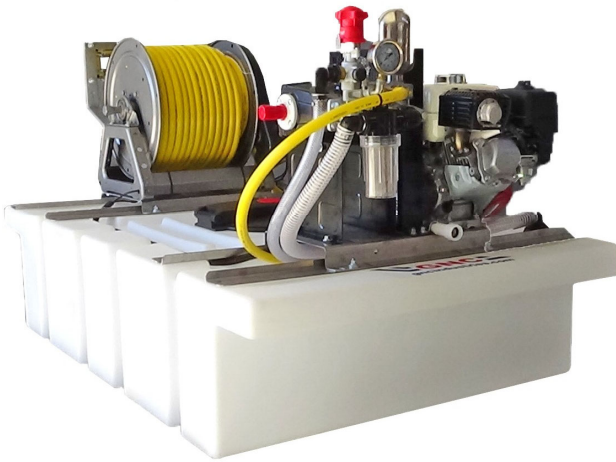
ITEM NUMBER 21-87UTXX-P530

Piston Pump

8gpm Capacity

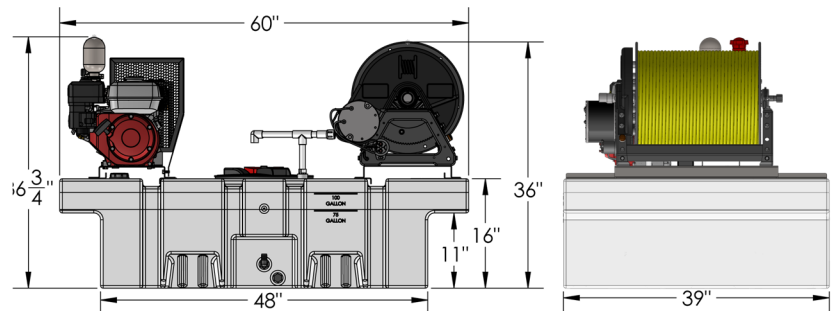
- 75 Gallon UTV Tank
- Stainless Steel Frame
- P530 8gpm Piston Pump
- Manual Start Honda GX-160

- Easy Access Suction Filter
- Jet Agitation
- Air Gap Backflow Prevention
- 12" Lockable Lid
- Strainer Basket



18" Hose Reel and Hose Sold Separately

Base Sprayers	Pumps
21-87UTXX-P530	P530 Piston
21-87UTXX-KA43	Kappa 43 Diaphragm
23-990020	P530 Upgrade to Turn-Key
Reel Packages	Reel & Hose
53-HA1526-0	Hannay 18" Manual 1/2" x 300'
53-HA1526-1	Hannay 18" Manual 3/8" x 400'
53-HAE1526-0	Hannay 18" Electric 1/2" x 300'
53-HAE1526-1	Hannay 18" Electric 3/8" x 400'
HA-9939-1018	18" Roller Guides



Weight

360 lbs Empty 1160 lbs Full
Approx 395 lbs Shipping